



**Adjustable Screw
Mount
Single Hook
Part # 10055**



Made in the U.S.A.

Read and follow all instructions before installation and using your Rugged Gear Gun & Utility Holder.

Follow all Federal, State and Local Laws and Regulations.

**Never put a loaded gun in a
Rugged Gear Gun & Utility Holder!**

Installation Instructions

- **Determine whether screw or bolts & nuts will best suit your installation location.** The poly bag in this package includes hardware for either method.
- **Measure length of shortest item to be held.**
- **Position holders equal distances from the sides to allow for holding shortest item at its ends.** (*HELPFUL HINT: To insure proper positioning, tape holder to surface and check position before drilling mounting holes.*)
 - **Bolts, nuts & washers**—requires you to drill 1/4" holes in your mounting surface. Use washers if you desire a water-tight seal.
 - **Screws**—you may need to drill pilot holes to start screws.
- **Tighten all bolts or screws tightly for stability!**

Normal Operation of the Patented Rugged Gear Hook

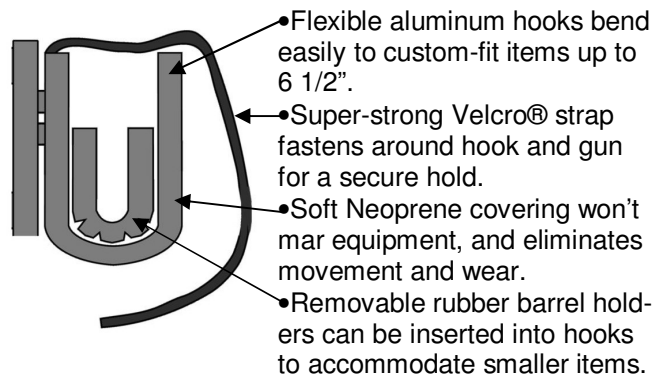
•Pull back the Velcro® strap of each hook.

•The hooks can be bent and shaped to tightly fit whatever item is being put into them. For maximum holding protection, “over-bend” each hook so that it is slightly smaller than the item to be held.

•**If needed, insert Barrel Holder** to secure gun barrels or smaller items.

•**Squeeze hook tightly around object and secure Velcro® strap around hook and item.**

•**Verify that item is held tightly;** re-tighten hook and Velcro® strap if necessary.



**Call 800-784-4331 for more information on
Rugged Gear shooting equipment,
or to buy accessories.**

GUARANTEE

Rugged Gear products have 60-day money-back guarantee.
If you are not completely satisfied, return for a full refund.

Disclaimer: Buyer assumes all risk and liability for the installation and use of any Rugged Gear product. Buyer is responsible for regular inspection of the product and for providing necessary maintenance and/or repairs. Rugged Gear does not warrant this product if it has been altered, misused or abused in any way. Rugged Gear reserves the right to redesign or discontinue products at anytime without prior notice.

**Rugged Gear
32588—477th Avenue
Elk Point, SD 57025-9702
U.S.A.
www.ruggedgear.com**

**(800)RUGGED 1
(800) 784-4331
(605) 356-2491
Fax (800) 784-3268
Email:sales@ruggedgear.com**